

LOCKSAFE™ ROLLER SHUTTER

Australia's First Anti-Lift Roller Shutter. An Extra Layer Of Protection For Your Home!



Unlike traditional roller shutters, the unique LockSafe™ Roller Shutter is Australia's first anti-lift roller shutter! Once fully closed, our LockSafe™ Roller Shutters make it very difficult for any intruder.



Ideal for light commercial and domestic applications, LockSafe™ Roller Shutters are safer, more secure, and provide an extra layer of protection for your home.

LockSafe™ Roller Shutters are able to automatically lock in the fully closed position, because of our innovative 3-Step Locking Technology & patented lock-bolt design.

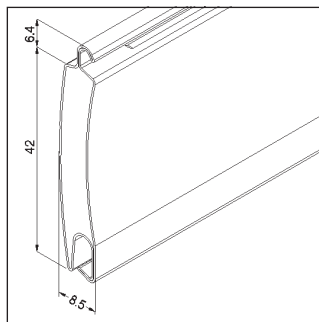
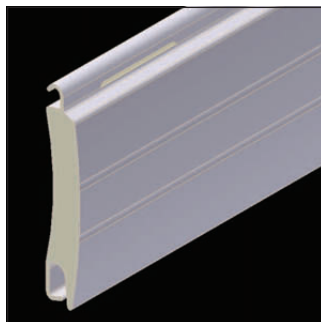
This roller shutter range is made with a precision roll formed 42mm Single Line or 42mm Double Line roller shutter profile.

SUITABLE APPLICATIONS

- Domestic & Light Commercial Windows.
- Domestic & Light Commercial Doorways.
- Light Commercial Shop Fronts.
- Counter Tops/Serveries.

FEATURES

- New & unique 3-Step Locking Technology.
- Extra strong and added protection.
- Specialised SIMU lock down motor & patented lock-bolt design.
- Integrated rigid fasteners for added curtain rigidity.
- High quality aluminium alloy construction.
- Foam filled profile for additional strength and smooth operation.
- High quality painted finish.
- Smooth or double line grooved curved face profile.
- Roll-tight design.
- Wide range of colours.
- Double coated + lacquer for abrasion resistant finish.
- Machine inserted profile end clips providing extra shutter strength.
- High quality internal sealed bearings.
- Suitable for widths up to 3200mm.
- Motorised operation with SIMU Auto Motor and automatic limit settings.
- Made in Australia.



TECHNICAL SPECIFICATIONS

Maximum Shutter Width	3200mm
Maximum Shutter Height	2600mm
Maximum Surface Area	7m ²
Curtain Weight/Metre ²	3.2kg
Number Of Slats/Metre	24
Profile Slat Covering	42mm
Profile Slat Thickness	8.5mm
Axle Types	Octagonal Steel
Bottom Bar Dimensions	60mm x 12mm
Guide Dimensions	53mm x 22mm
Paint Finish	Polyurethane/Polyamide (PU/PA)
Inner Profile Foam Type	Poly Urethane (CFC Free)

MADE TO MEASURE ROLLER SHUTTERS

LOCKSAFE™ 3-STEP LOCKING TECHNOLOGY



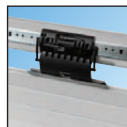
STEP 1 SPECIALISED SIMU LOCK DOWN MOTOR

Specialised SIMU motor applies downward force and automatically locks into position when fully closed



STEP 2 INTEGRATED RIGID FASTENERS

Integrated rigid fasteners activate when curtain completely unwinds, locking the shutter curtain down and creating added curtain rigidity



STEP 3 UNIQUE 2-PIECE BOTTOM BAR PATENT NO: 2019349983

A unique & patented design 2-piece bottom bar comes together and automatically activates a horizontal lock-bolt mechanism into side guides



PELMET SIZES & MAXIMUM SHUTTER HEIGHT

Pelmet Box Size	Max. No. Of Slats	Max. Shutter Height (Including Pelmet)	Axle Size
150mm	31	1300mm	60mm
165mm	41	1700mm	60mm
180mm	52	2200mm	60mm
205mm	62	2600mm	60mm

WIND SPEEDS & MAXIMUM SHUTTER WIDTH

Wind Speed m/sec	Wind Speed km/h	Max. Shutter Width	Max. Surface Area
11.2m/sec	40km/h	3200mm	7m ²
13m/sec	46km/h	3010mm	7m ²
15.8m/sec	56km/h	2550mm	6.63m ²
20.4m/sec	73km/h	2180mm	5.67m ²
25.9m/sec	93km/h	1990mm	5.17m ²
34.9m/sec	125km/h	1700mm	4.42m ²

ROLLER SHUTTER COLOUR OPTIONS

Profiles	Pelmets/Side Frames/Guides/Bottom Bars
Cream	Cream
Magnolia Cream	Magnolia Cream
Clear Beige	Clear Beige
White	White
Shale Grey	Shale Grey
Black	Black
Monument	Monument
Woodland Grey	Woodland Grey

Coastal Treatment for side frames is strongly recommended for shutters installed close to beach or other salt water environments. Request Coastal Treatment on your order.

CONTROL OPTIONS

Motorised Options



Wall Switch
With 240V
Specialised Electric
SIMU Motor*



Remote Control
With 240V
Specialised Electric
SIMU Motor*

* Control options must be installed in an indoor environment.

To order please complete a [CW Products Made To Measure Roller Shutter Order Form](#).