

HIGH QUALITY, RELIABLE MOTORISATION FOR CASSETTE AWNINGS



SIMU T5 ESP 240 VOLT WIRED ELECTRONIC TUBULAR MOTOR WITH SEMI-AUTOMATIC LIMIT SETTINGS



INTELLIGENT, SAFE, RELIABLE, FLEXIBLE & EASILY INTEGRATED

The Intelligent T5 ESP is ideal for use with cassette awnings with an automatic up-limit setting. The motor will automatically stop at the up-limit when the motor over torques and senses resistance. Because of this feature the cassette awning has complete closure of the cassette, allowing the aesthetics of the product to be maintained as well, as protecting the awning fabric. The down-limit must be set via the specialised SIMU adjustment switch removing the need to access the motor head for the down-limit setting. The T5 ESP is also compatible with the SIMU Windy Hz Wired Wind Sensor which will automatically retract the awning in windy environments helping protect the awning.

TWO LIFTING CAPACITIES

The high performance T5 ESP is available in 2 different torques (35Nm, 50Nm).

STURDY, QUALITY CONSTRUCTION

SIMU tubular motors are made in France and are reputed for high quality and reliability.

Other features include:

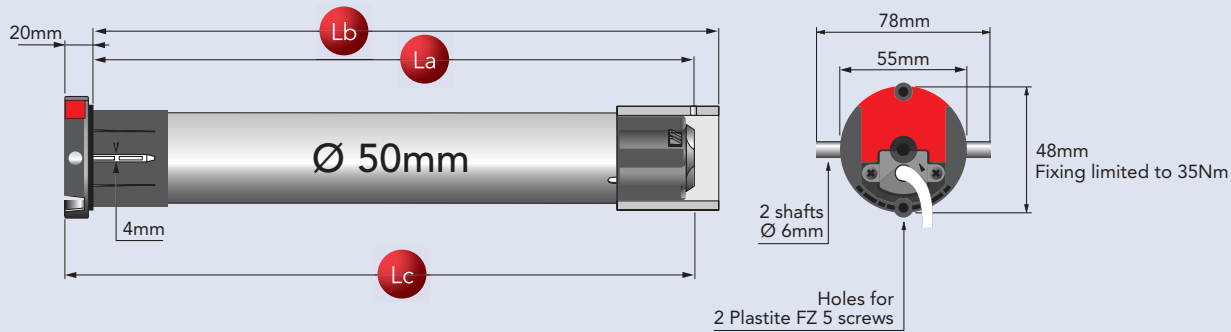
- Obstacle and frost detection
- Easy to set and accurate semi-automatic down-limit system (with down-limit being set by SIMU adjustment switch)
- Thermal cut-out protection system
- Suitable for a wide range of adaptations and tube sizes.



CW PRODUCTS
HOME AUTOMATION & ROLLER SHUTTERS



MOTOR DIMENSIONS



- La** : Length between the end and the drilling point of the tube
- Lb** : Adapted motor size in the tube
- Lc** : Total motor length

MODEL NUMBERS & TECHNICAL SPECIFICATIONS

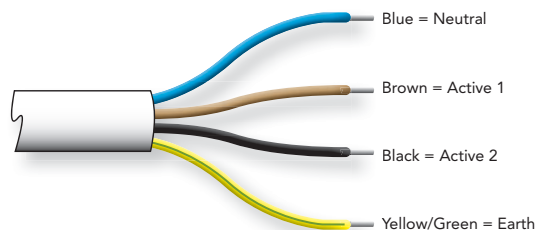
Product Code	Model Number	Torque (Nm)	Speed (rpm)	Power (W)	Current (A)	La (mm)	Lb (mm)	Lc (mm)
30-999-330	T5 ESP - 35/17	35	17	240	1.10	660	673	681
30-999-335	T5 ESP - 50/12	50	12	240	1.10	660	673	681

GENERAL T5 ESP TECHNICAL SPECIFICATIONS

Power supply	240 Volts - 50 Hz
Thermal cut-out	4 minutes
End-limit switch with electronic counting	operating limited to 3 minutes
Protection index	IP 44
Ambient temperature of use	from -10°C to +40°C And exceptionally: from -20°C to +70°C
Power supply cable	230V - 4 x 0.75mm ² wires - white HO5 VVF, - 2.5m or 5m length
Automatic readjustment of the end-limit position	every 56 cycles
Base diameter for round tube	Ø 50 x 1.5mm

Installation Note: Multiple motors cannot be wired to the same switch. A group controller is necessary when operation of 2 or more motors is required from 1 control point. Motors must be wired by a certified electrician. Horizontal mount only. Mounting brackets, crowns and driving wheels to suit tube size must be used with this motor.

MOTOR WIRING CONNECTIONS



INTERNATIONAL STANDARDS



The T5 ESP's down-limit setting requires the use of a SIMU adjustment switch.

General Note: All photos for illustrative purposes only. Technical specifications are correct at time of printing and may change without notice.

Exclusively distributed in Australia by **CW Products**
 126-138 Port Road Alberton South Australia 5014
Ph: (08) 8341 0120 **Fax:** (08) 8341 1750
Email: info@cwproducts.com.au **Web:** www.cwproducts.com.au

